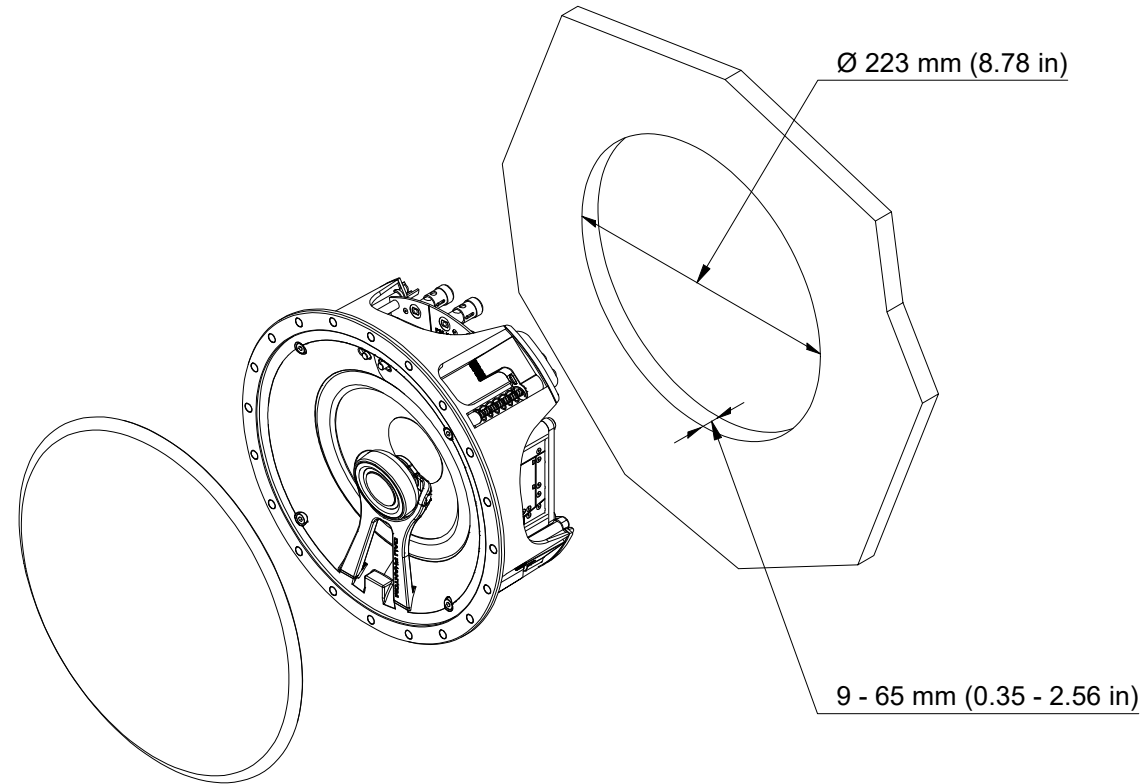
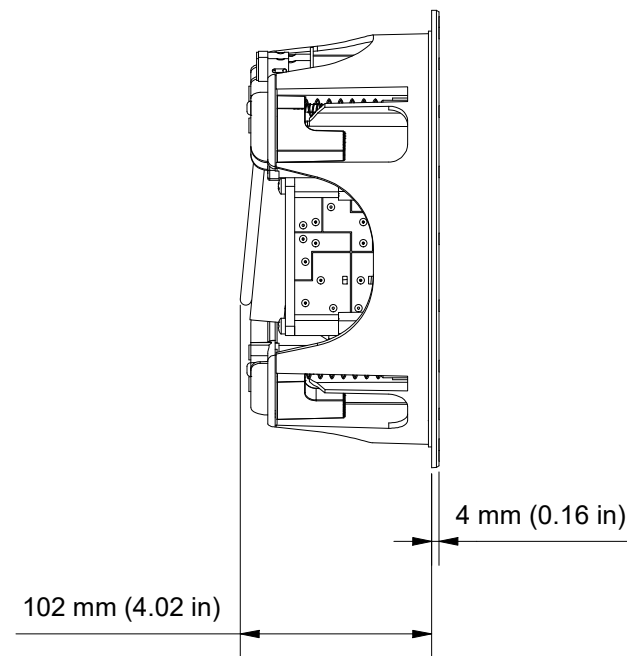
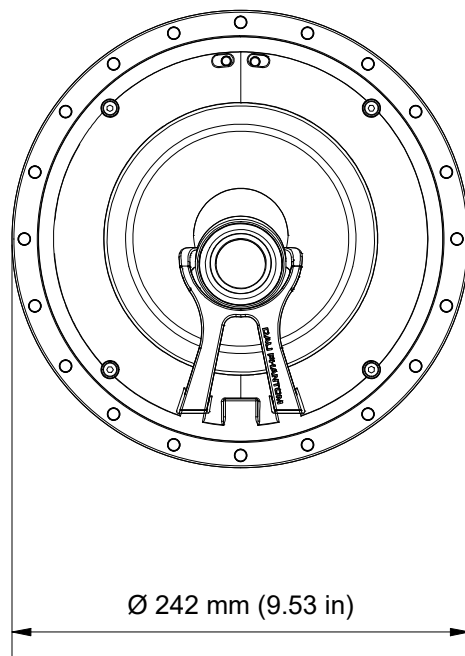


### CUT-OUT DIMENSIONS



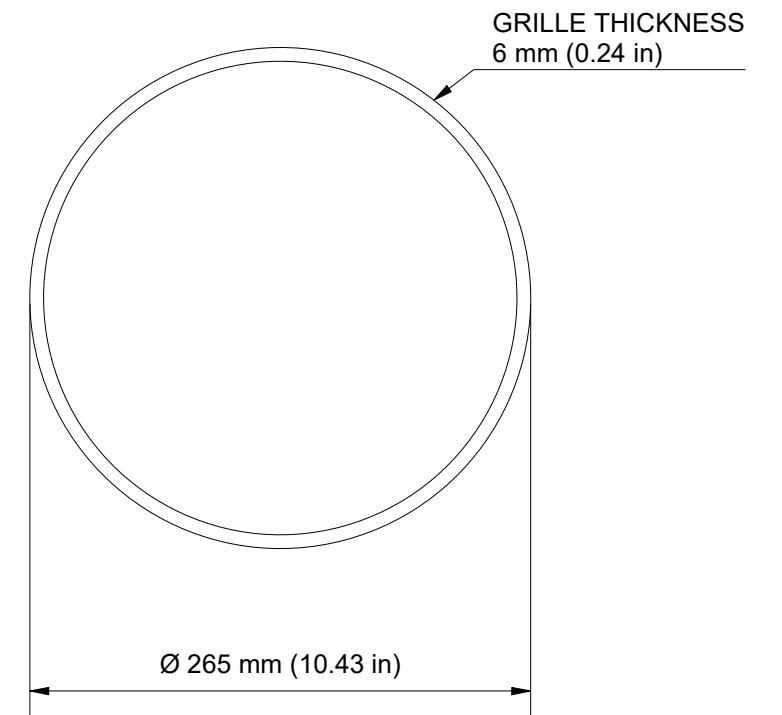
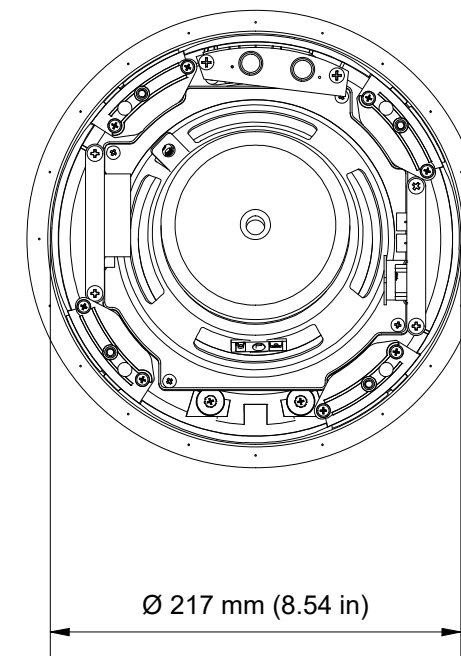
FRONT

SIDE



BACK

GRILLE



### CEILING/WALL THICKNESS

