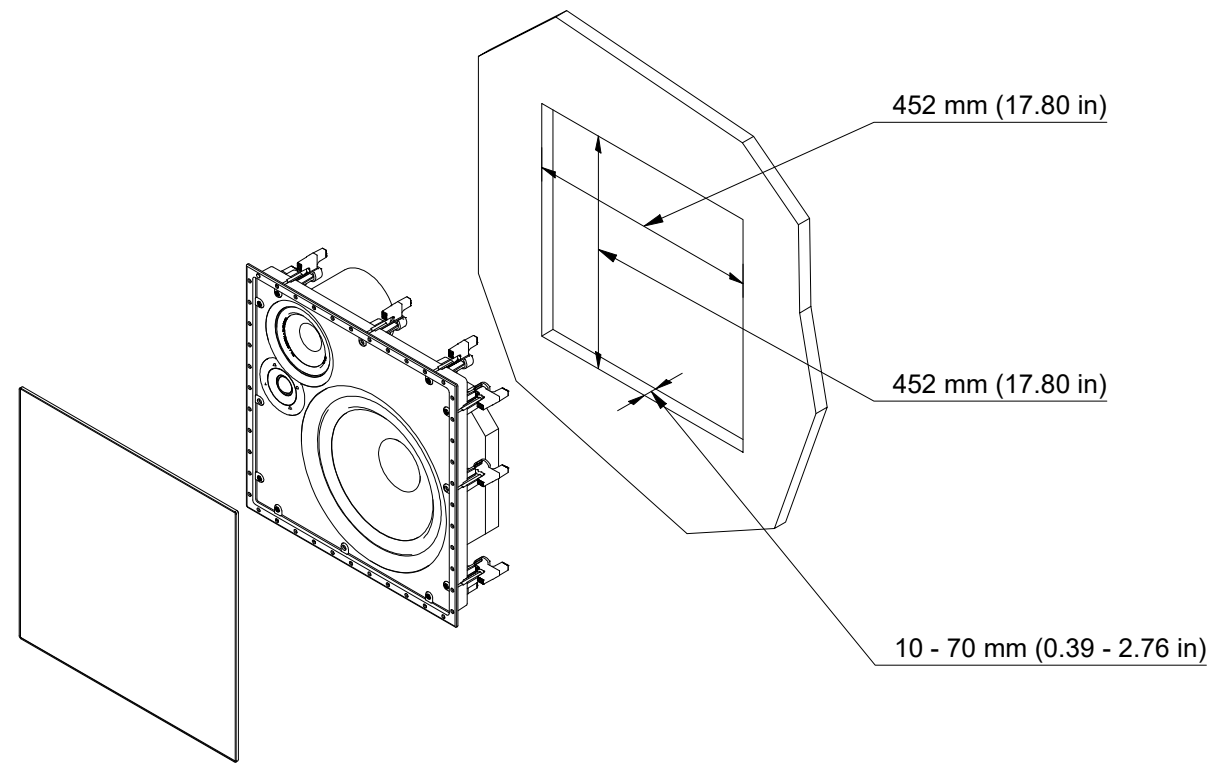
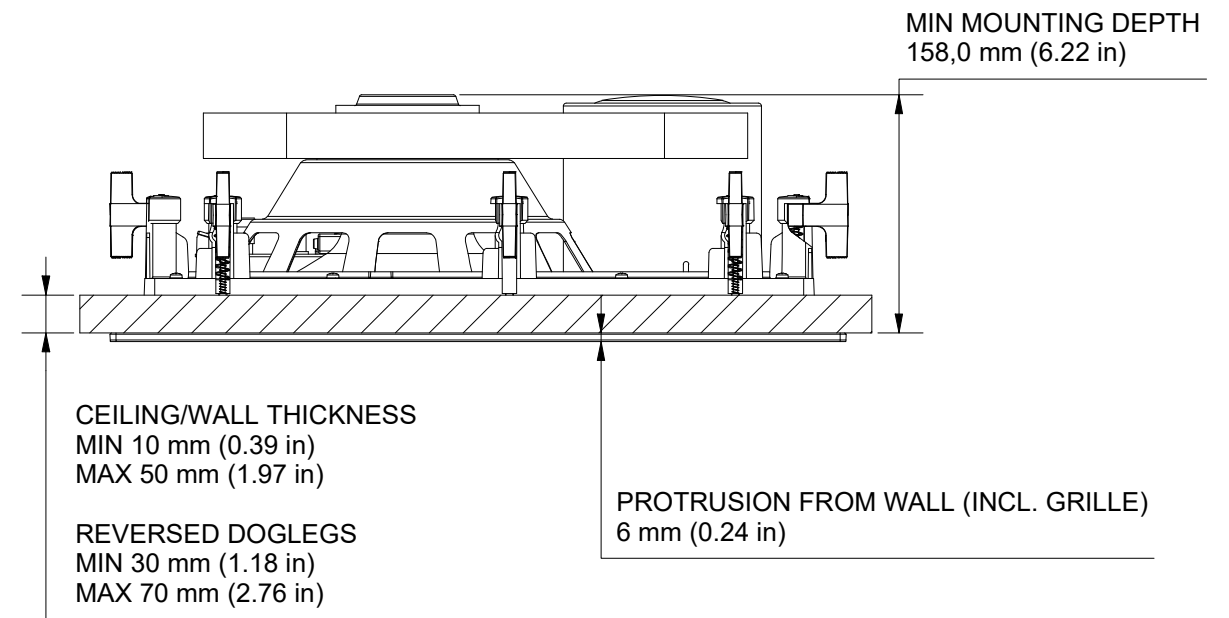


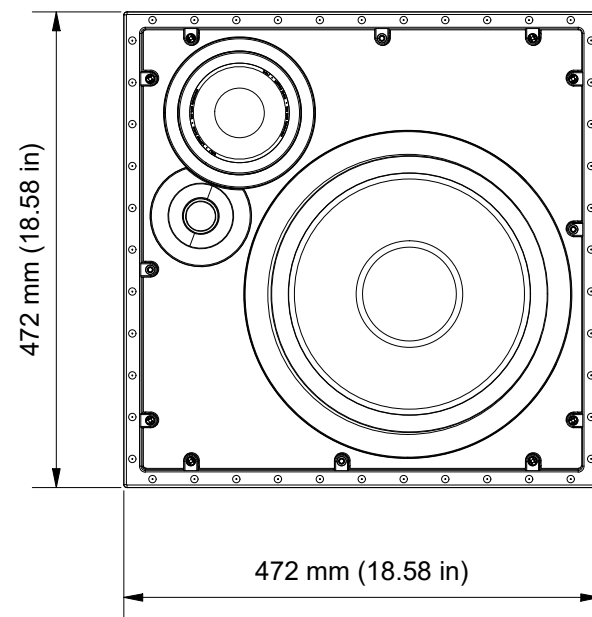
### CUT-OUT DIMENSIONS



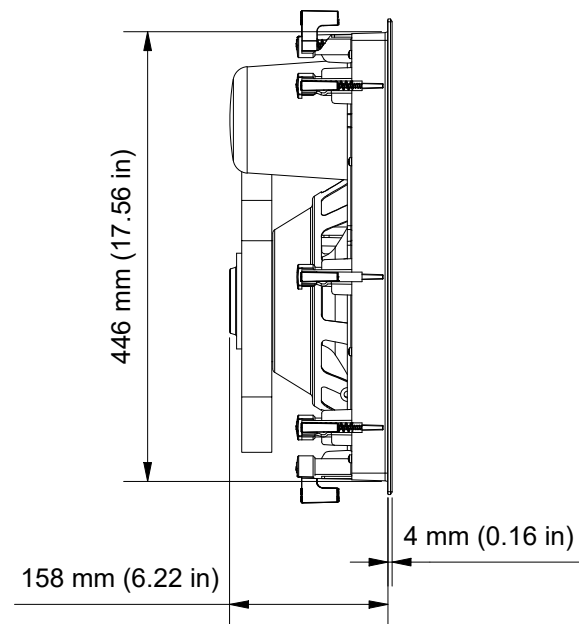
### CEILING/WALL THICKNESS



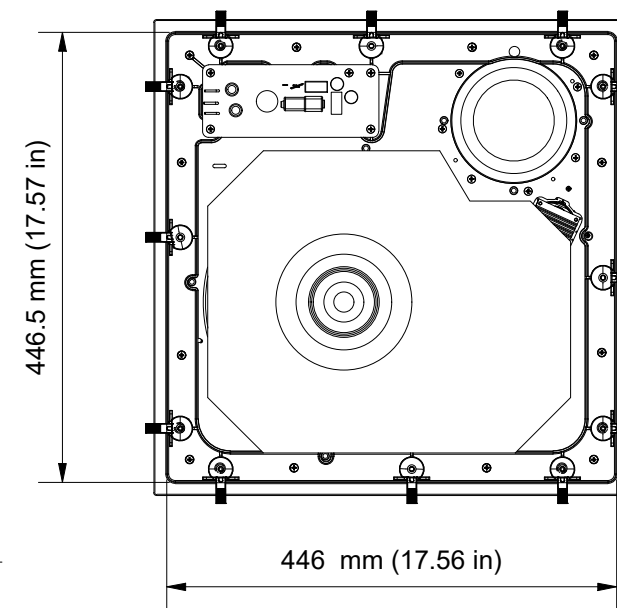
**FRONT**



**SIDE**



**BACK**



**GRILLE**

