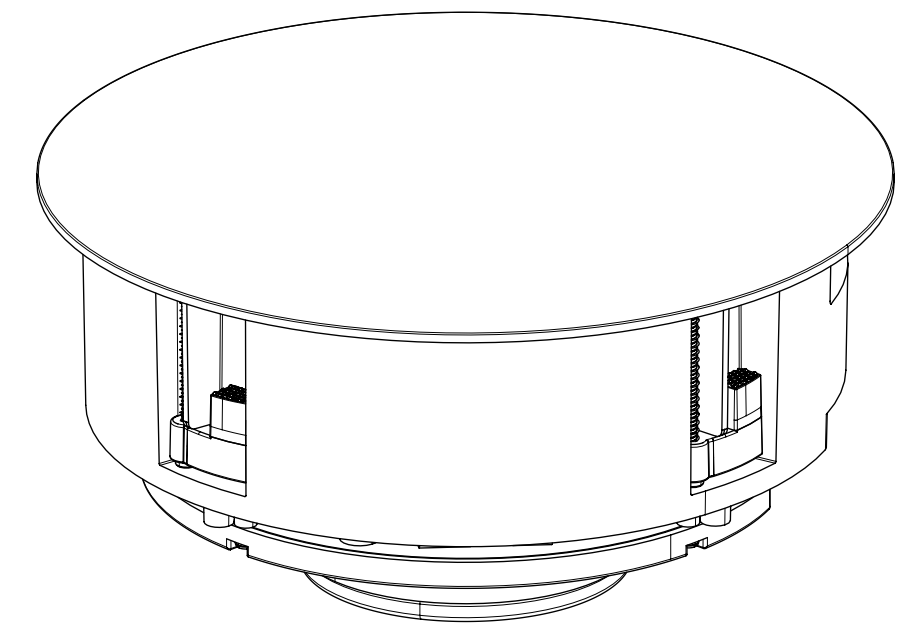
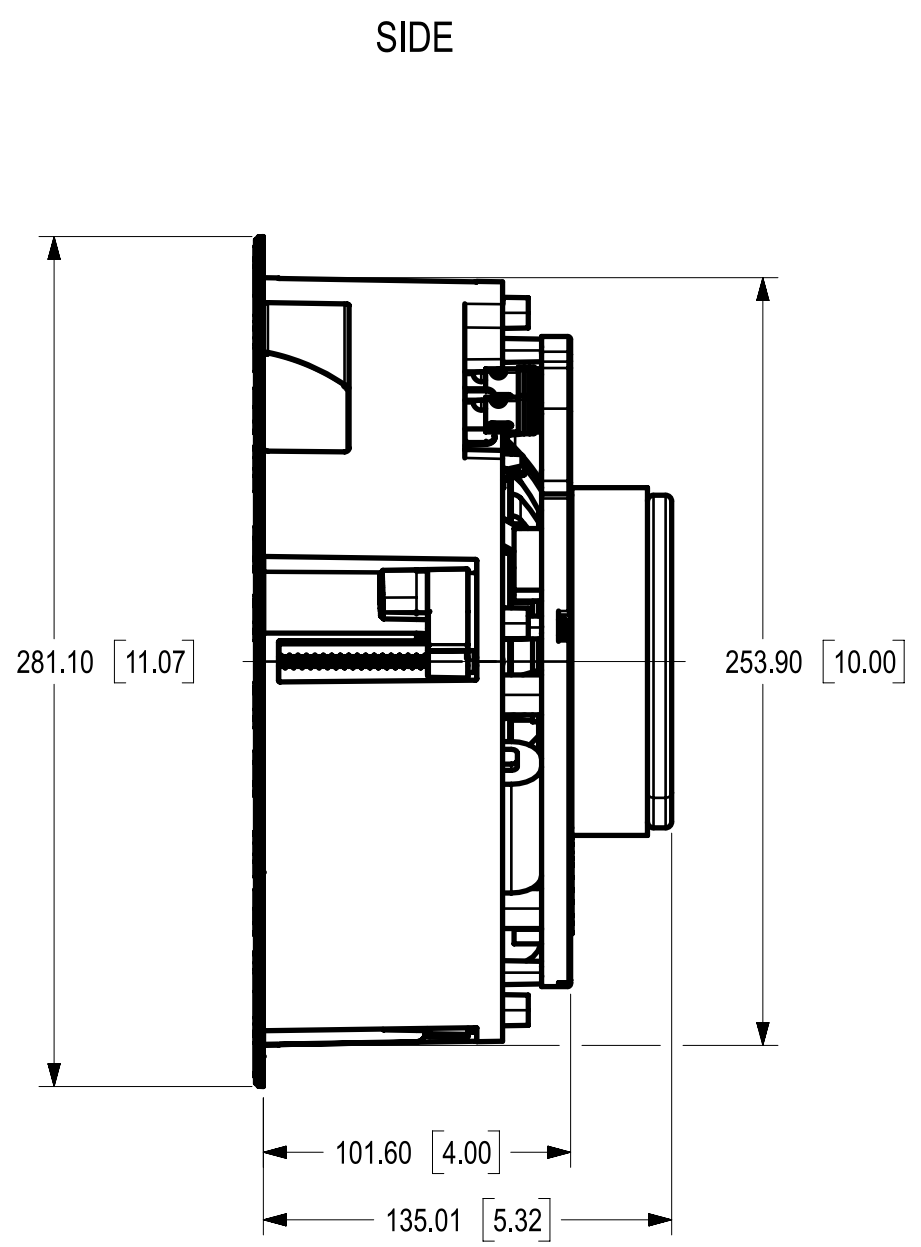
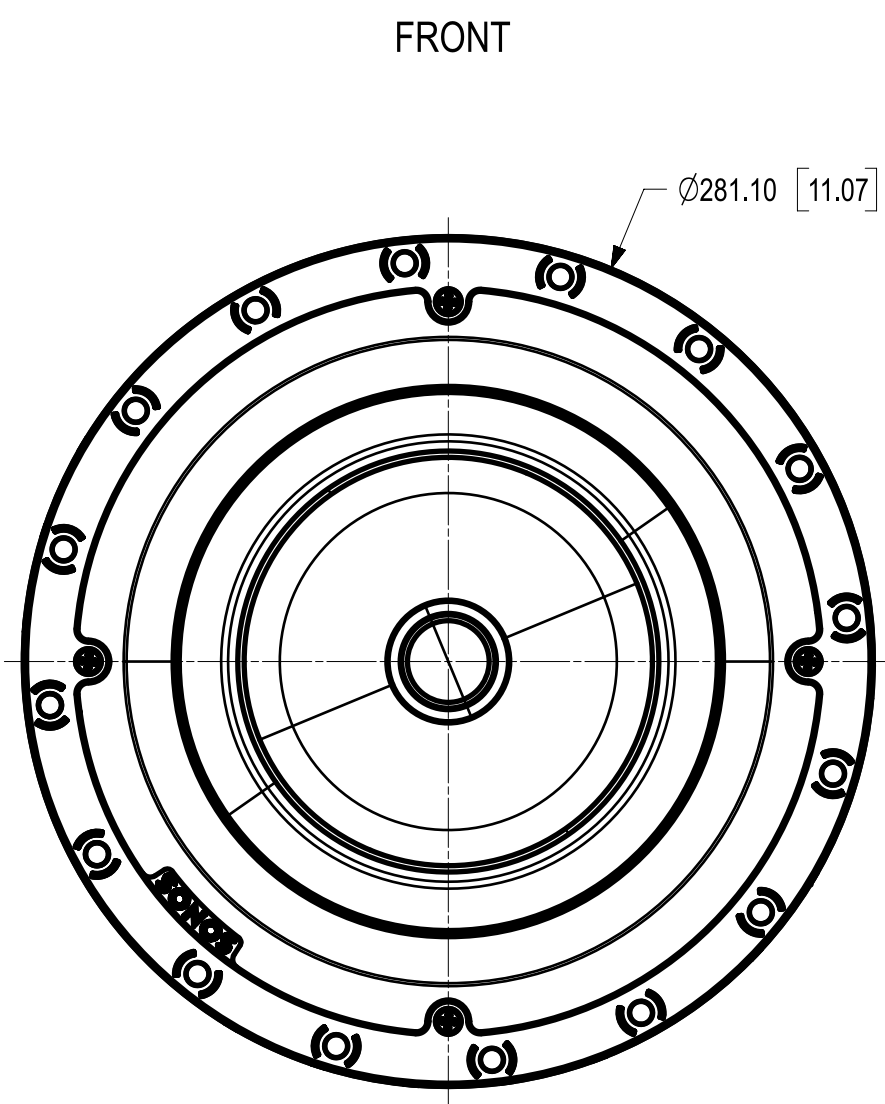
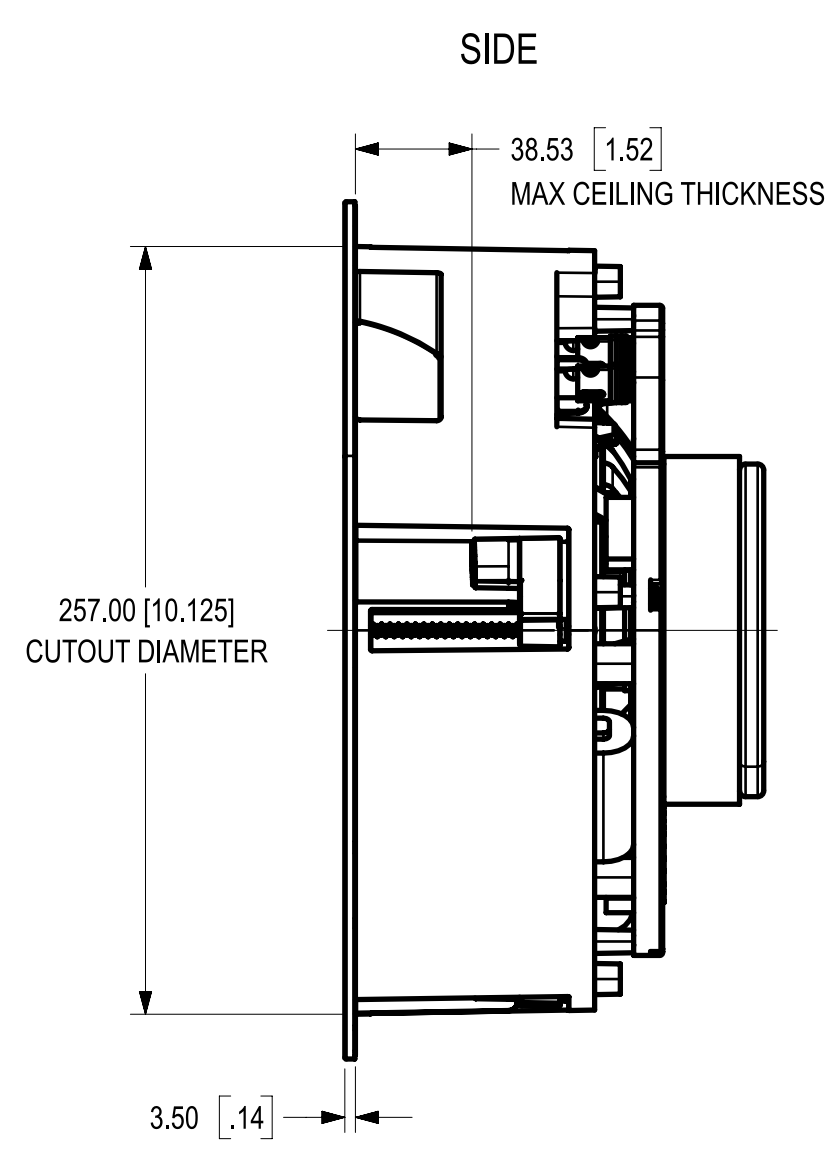
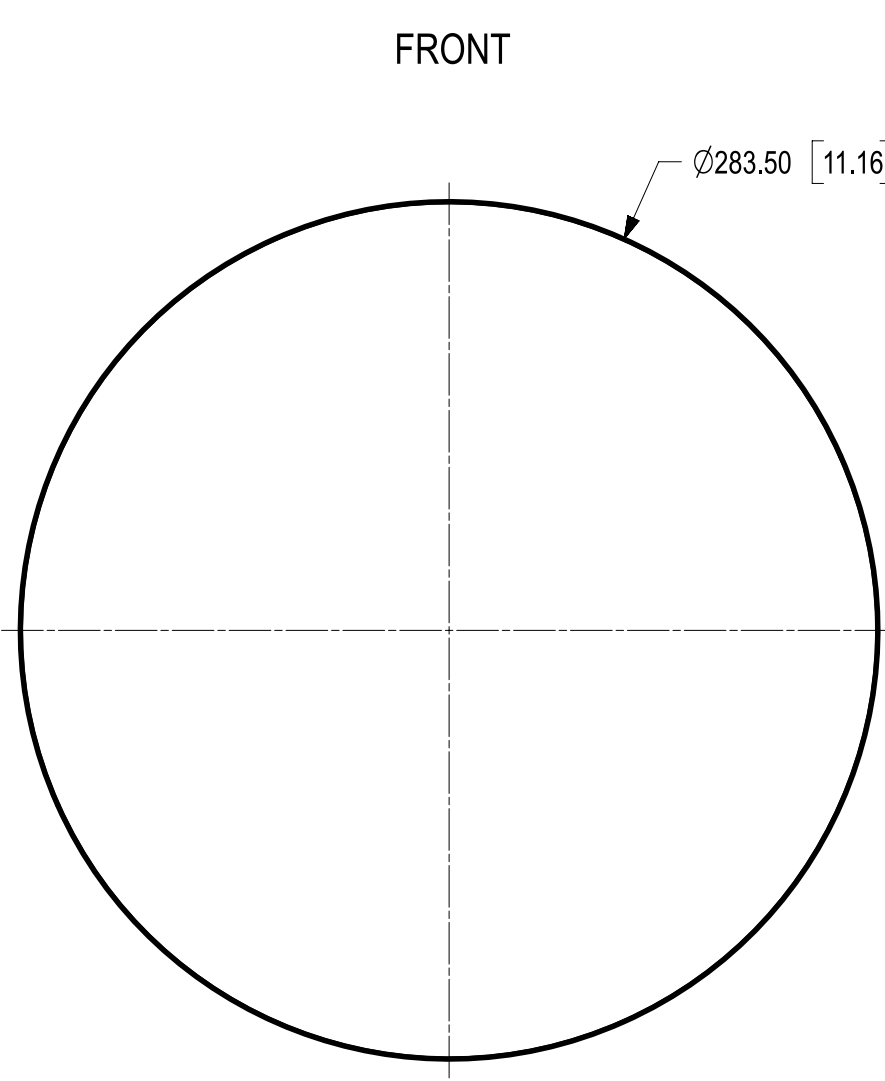


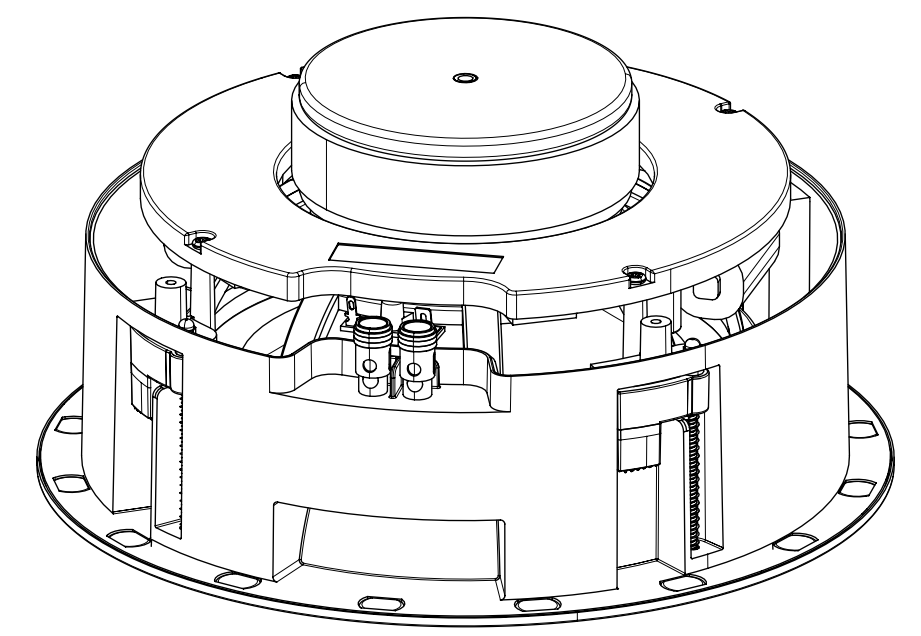
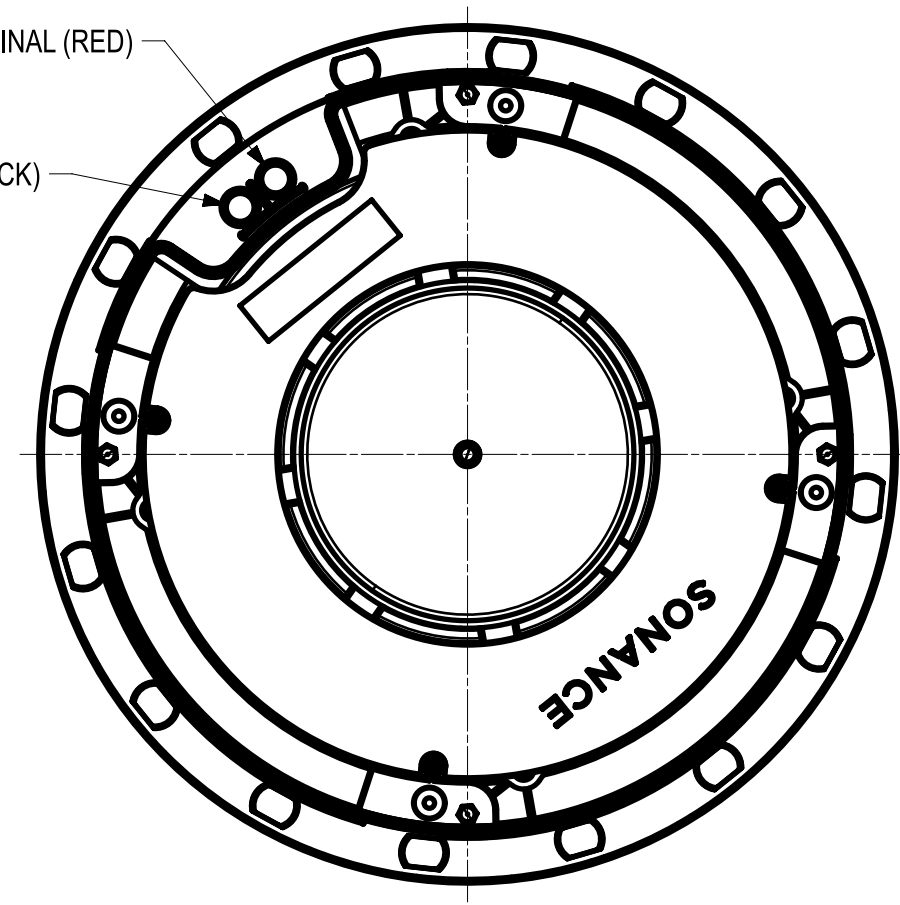
REV	ECO NO	DESCRIPTION	DRAWN	CHECK	DATE
A.01	-	PRELIMINARY RELEASE	BN	ZM	2024-01-08



WITHOUT GRILLE



+ TERMINAL (RED)
- TERMINAL (BLACK)



WITH GRILLE

NOTES:
1. DUAL DIMENSIONS: INCHES ARE IN BRACKETS

THIS DOCUMENT AND THE INFORMATION CONTAINED HEREIN ARE PROPRIETARY TO SONOS INCORPORATED AND SHALL NOT BE USED BY, OR DISCLOSED IN WHOLE OR IN PART TO ANYONE OUTSIDE OF SONOS INCORPORATED WITHOUT THE PRIOR WRITTEN PERMISSION OF SONOS INCORPORATED.

SONOS			
TITLE: INSTALLER DRAWING, 8" IN-CEILING SPEAKER			
SIZE: A2	THIRD ANGLE PROJECTION 	PART NO: 890-00541	REV: A
SCALE: 2 : 5		SHEET: 1 OF 1	