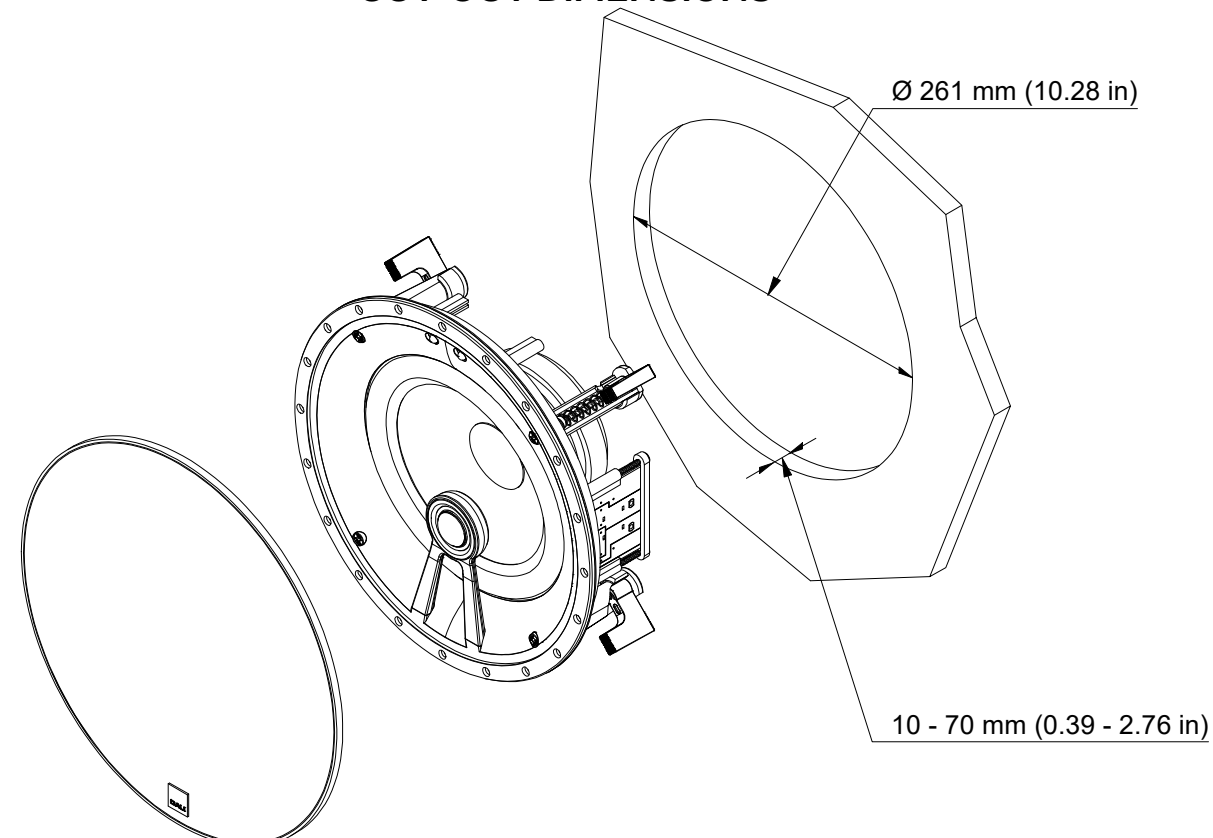
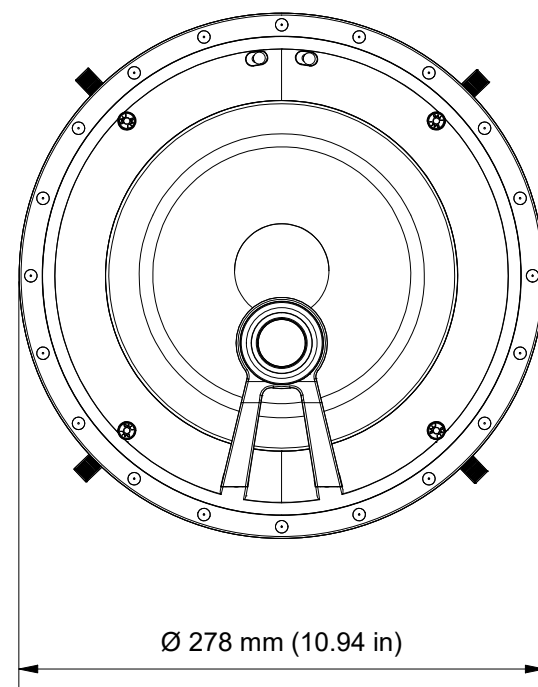


CUT-OUT DIMENSIONS



FRONT

SIDE

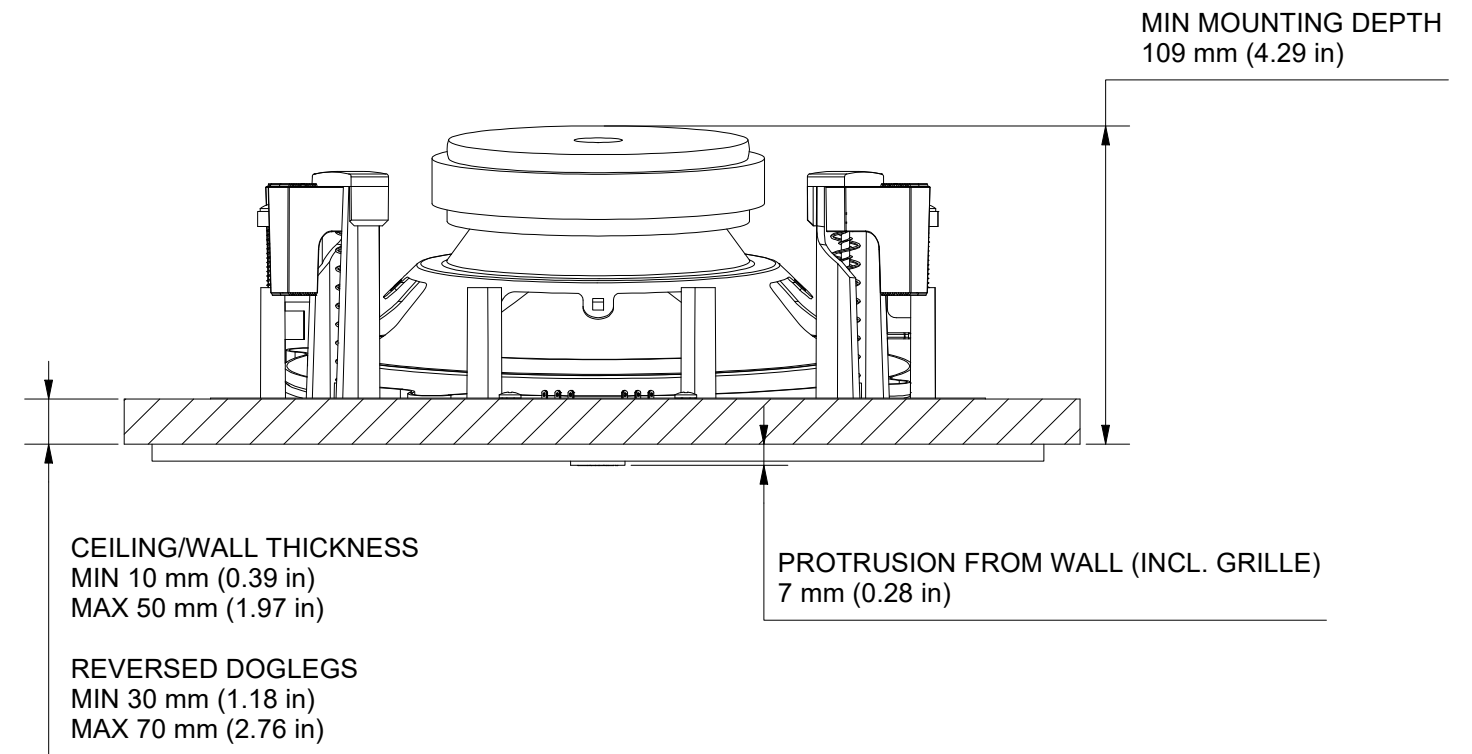


Ø 278 mm (10.94 in)

109 mm (4.29 in)

4 mm (0.16 in)

CEILING/WALL THICKNESS



MIN MOUNTING DEPTH
109 mm (4.29 in)

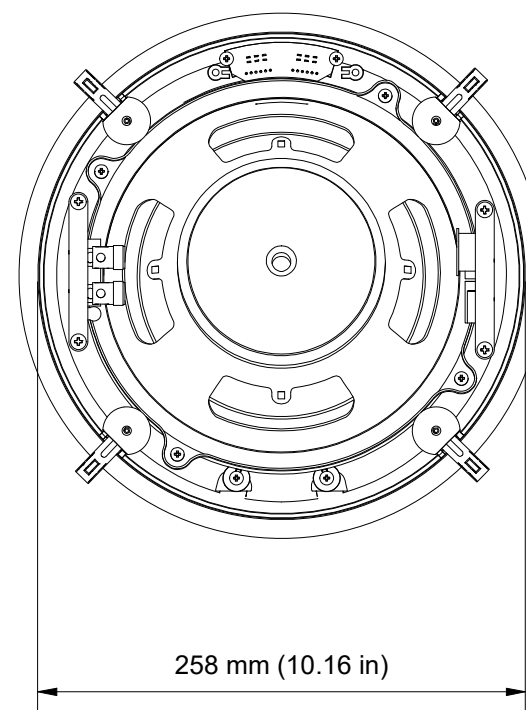
CEILING/WALL THICKNESS
MIN 10 mm (0.39 in)
MAX 50 mm (1.97 in)

PROTRUSION FROM WALL (INCL. GRILLE)
7 mm (0.28 in)

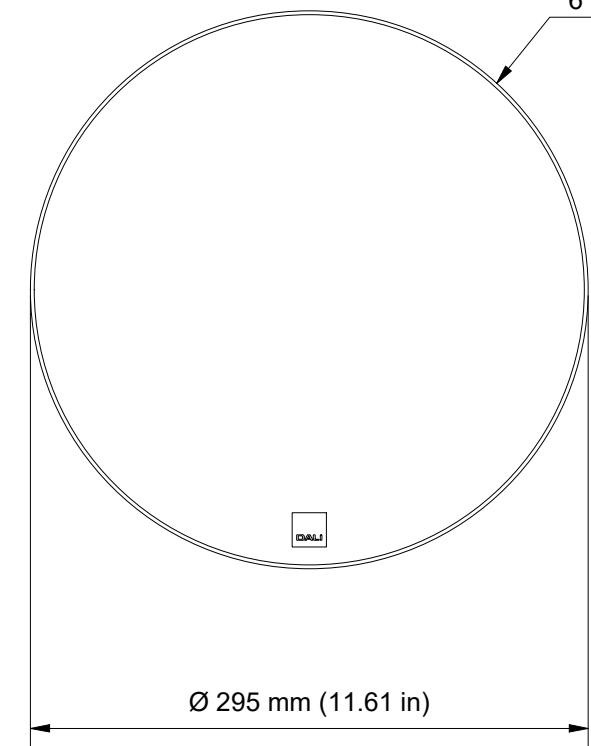
REVERSED DOGLEGS
MIN 30 mm (1.18 in)
MAX 70 mm (2.76 in)

BACK

GRILLE



258 mm (10.16 in)



GRILLE THICKNESS
6 mm (0.24 in)

Ø 295 mm (11.61 in)