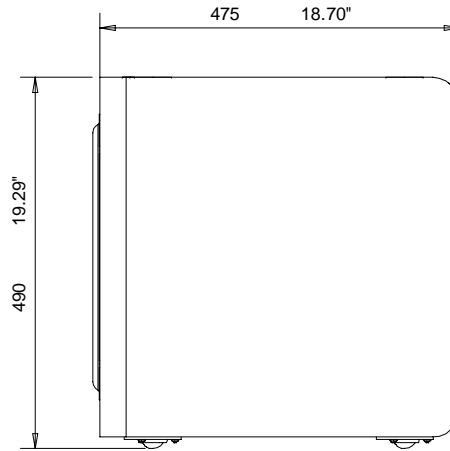
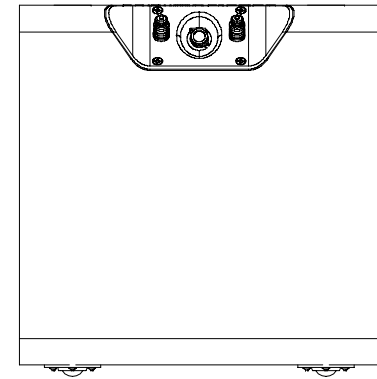


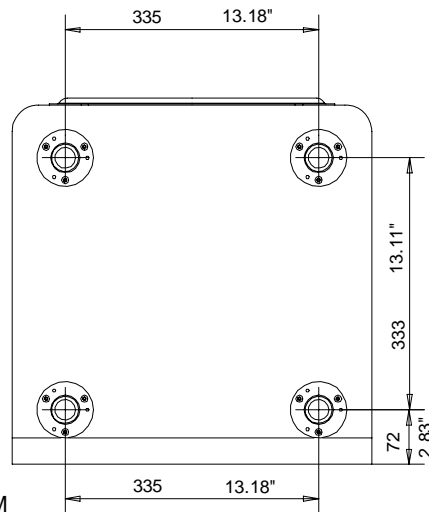
2-FRONT



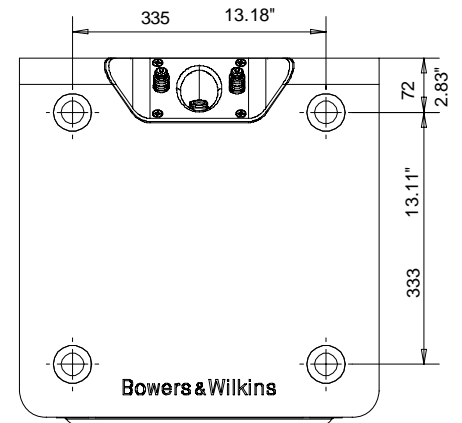
3-RIGHT



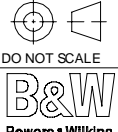
5-BACK



4-BOTTOM



6-TOP

 <p>DO NOT SCALE</p>	<p><b>DIMENSIONS IN mm</b></p> <p>TOLERANCES</p> <p>0, ± 0.5</p> <p>0.0 ± 0.3</p> <p>0.00 ± 0.1</p> <p>ANGLES ± 0.5°</p> <p>UNLESS OTHERWISE STATED</p>	<p>MATERIAL</p> <p>N/A</p>	<p>3 REDRAWN</p> <p>2 GLIDES REPLACE SPIKES</p> <p>ISS AMENDMENT</p> <p>TITLE</p> <p><b>CT8 SW LINE DRAWING</b></p>	<p>21.4.05</p> <p>29-09-04</p> <p>MG</p> <p>TM</p> <p>APPROVAL</p>	<p>COPYRIGHT © 2004</p> <p>DRAWN KW</p> <p>DATE 29:06:04</p> <p>CHECKED / APPROVED</p> <p>SCALE 1:4</p> <p>FULL DRG SIZE A3</p>	<p>PART NO.</p> <p><b>FP22549</b></p> <p>DRG. NO.</p> <p><b>A6915-1-1</b></p>	<p>ISS</p> <p>③</p>
	<p>UNLESS OTHERWISE STATED</p>	<p>FINISH</p> <p>N/A</p>	<p>PDC 1330</p> <p>ECN NO.</p>	<p>DATE</p>	<p>DATE</p>	<p>DATE</p>	<p>DATE</p>